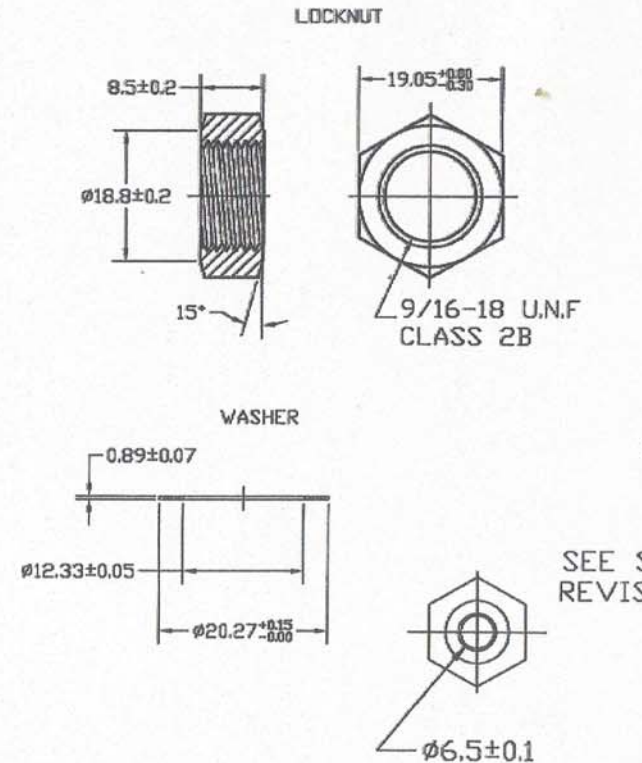
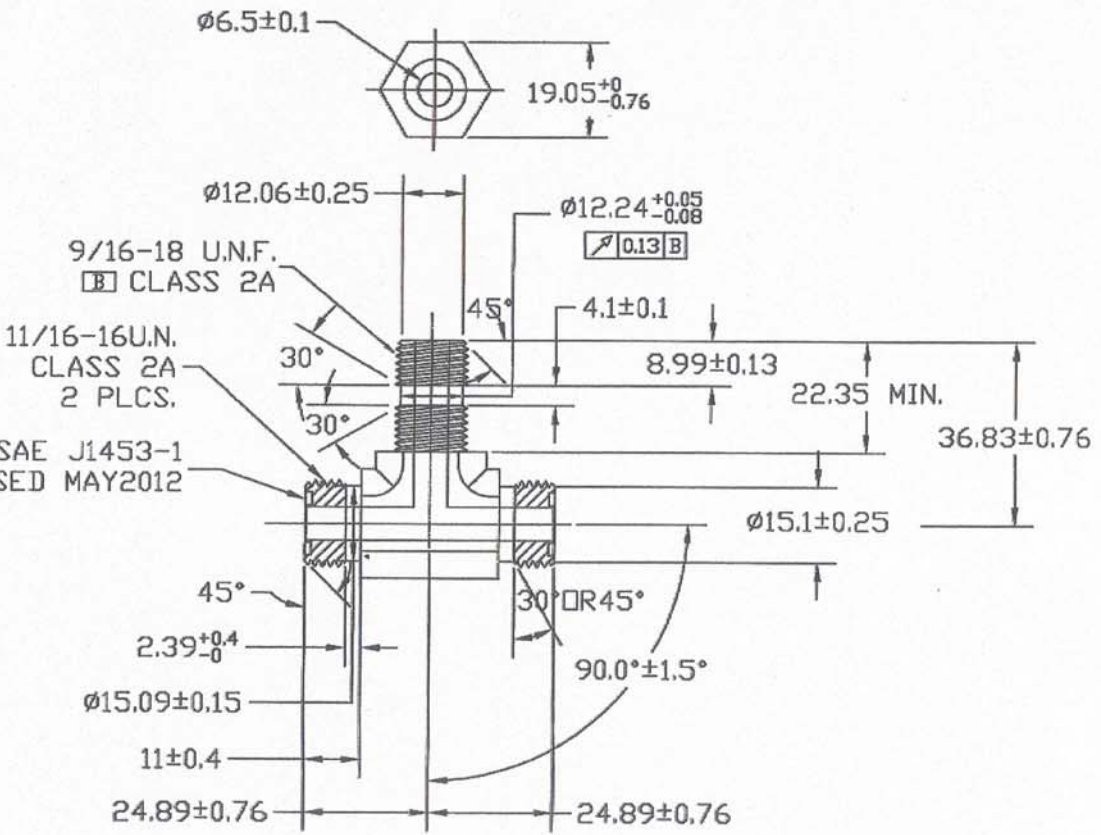


REV 更改号	DATE 日期	REVISION DETAILS 更改内容	APPD 审核并批准
A	May.27.2021	Production issue	<i>[Signature]</i>



Pls note,
the 2 FS heads are the same totally
左右FS面两端完全相同。



UNLESS SPECIFIED
ALL DIMENSIONS ARE IN mm,
ROUGHNESS ON
HEXAGON SURFACE
MACHINED SURFACE Ra=3.2µm,
ANGLES TOLERANCE ±5°,
DIMENSIONS TOLERANCE ±0.25mm,
REMOVE ALL BURRS,SLIVERS AND
SWARF,
BREAK ALL SHARP EDGES R<0.5mm

其它事项,
 图示尺寸单位为mm,
 六角面粗糙度
 未注机加工表面粗糙度 Ra=3.2µm,
 未注角度公差 ±5°,
 未注尺寸公差 ±0.25mm
 去除所有毛刺及金属切屑,
 锐边倒钝R<0.5mm.

THIRD ANGLE PROJECTION

Zhejiang Gaocheng Autoparts Co.,Ltd

PART No
零件名 6803-6FS-6FS-6FSNWO

MATERIAL Chinese steel 45 材料 45号钢

FINISH ZINC PLATING WITH 8um MICRONS MINIMUM PLATING THICKNESS AND TRIVALENT CHROMATE PASSIVATION AND WITHSTAND 96 HRS TO WHITE / 144 HS TO RED RUST IN SALT SPRAY TEST. 镀锌, 三价铬钝化, 银白色, 盐雾试验96小时无白底, 144小时无红锈, 镀锌层厚度大于8um.

SCALE: APPD: 批准 *[Signature]* DRN: Sun Jianguan 21.05.27
 DATE: 日期 CHK: Li Junbiao 21.05.27
 NTS 审核